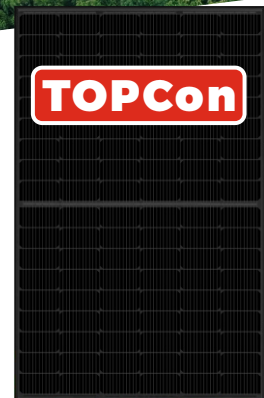


# LUXNERI® SERIES **N5**

## 420-440W Mono

108 Half-Cell Layout  
**FULL BLACK BIFACIAL DG**  
 M10/182mm N-TOPCon Cell



LECO N-TOPCon Cell Technology



SMBB Half Cut Cell Technology



Bifacial Cell Module Technologies



Excellent Anti-PID Low LID Performance

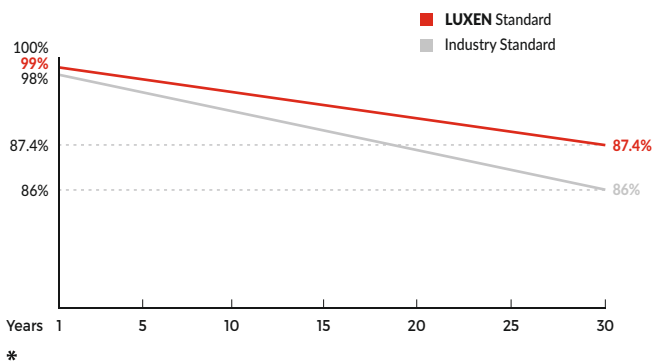


Less Hot Spot Shading Effects



Higher Power Output Lower BOS & LCOE

### Linear performance Warranty



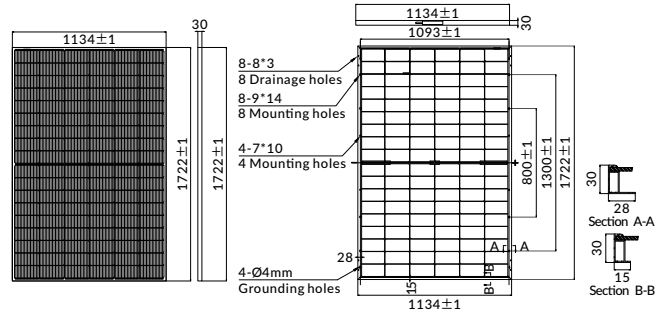
### Comprehensive Certificates

- ISO9001:2015 QMS
- ISO14001:2015 EMS
- ISO45001:2018 OHSMS
- IEC61215/IEC61730 Standard Quality
- IEC61701/IEC62716 Salt/Mist/Ammonia Tests



MECHANICAL CHARACTERISTICS

Solar Cells	N-type Mono
No. of Cells	108 (6x18)
Dimensions	1722 x 1134 x 30mm
Weight	23.5kg
Front Glass	2.0mm coated semi-tempered glass
Back Glass	2.0mm semi-tempered glass
Junction Box	Ip68 rated (3 by pass diodes)
	4.0mm <sup>2</sup>
Output Cables	1200mm (+) / 1200mm (-)
	Length can be customized
Connectors	Mc4 compatible
Mechanical load test	5400Pa



ELECTRICAL PARAMETERS

POWER CLASS	LNVB-420ND		LNVB-425ND		LNVB-430ND		LNVB-435ND		LNVB-440ND	
	STC	NMOT	STC	NMOT	STC	NMOT	STC	NMOT	STC	NMOT
Maximum power (Pmax)	420W	315W	425W	319W	430W	323W	435W	327W	440W	331W
Open Circuit Voltage (Voc)	38.49V	36.68V	38.73V	36.88V	38.96V	37.08V	39.19V	37.28V	39.42V	37.48V
Short Circuit Current (Isc)	13.99A	11.26A	14.06A	11.32A	14.13A	11.38A	14.20A	11.44A	14.27A	11.50A
Voltage at Maximum power (Vmpp)	31.63V	29.30V	31.84V	29.51V	32.04V	29.71V	32.25V	29.92V	32.45V	30.12V
Current Maximum Power (Impp)	13.28A	10.75A	13.35A	10.81A	13.42A	10.87A	13.49A	10.93A	13.56A	10.99A
MODULE EFFICIENCY (%)	21.51%		21.76%		22.02%		22.28%		22.53%	

STC: Irradiance 1000W/m<sup>2</sup>, cell temperature 25°C, AM1.5G    NMOT: Irradiance 800W/m<sup>2</sup>, ambient temperature 20°C, wind speed 1m/s, AM1.5G

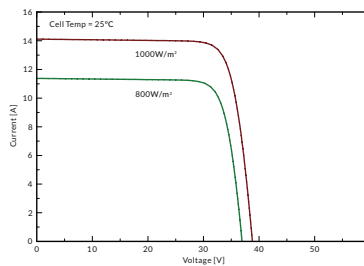
BIFACIAL OUTPUT-REAR SIDE POWER GAIN

		LNVB-420ND	LNVB-425ND	LNVB-430ND	LNVB-435ND	LNVB-440ND
5%	Maximum power (Pmax)	441W	446W	452W	457W	462W
	Module Efficiency STC (%)	22.58%	22.85%	23.12%	23.39%	23.66%
15%	Maximum power (Pmax)	483W	489W	495W	500W	506W
	Module Efficiency STC (%)	24.73%	25.03%	25.32%	25.62%	25.91%
25%	Maximum Power (Pmax)	525W	531W	538W	544W	550W
	Module Efficiency STC (%)	26.89%	27.21%	27.53%	27.85%	28.17%

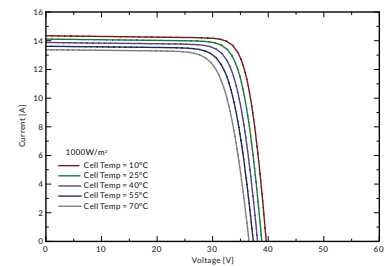
PACKING CONFIGURATION

Container	20'GP	40'HQ
Pieces per pallet	36	36
Pallets per container	6	26
Pieces per container	216	936

I-V CURVE



LNVB-430ND/I-V



OPERATING CHARACTERISTICS

Operating Module Temperature	-40°C to +85°C
Maximum System Voltage	1500 DC (IEC)
Maximum Series Fuse Rating	30A
Power Tolerance	0/+5W

TEMPERATURE CHARACTERISTICS

Nominal Operating Temperature (NMOT)	45±2°C
Temperature Coefficient of Pmax	-0.29%/°C
Temperature Coefficient of Voc	-0.25%/°C
Temperature Coefficient of Isc	+0.045%/°C

Note: The specifications, data and technical characteristics provided in this data sheet are subject to changes due to continuous R&D, product innovation and improvement. LUXEN SOLAR reserves the right to modify the information any time without prior notice.